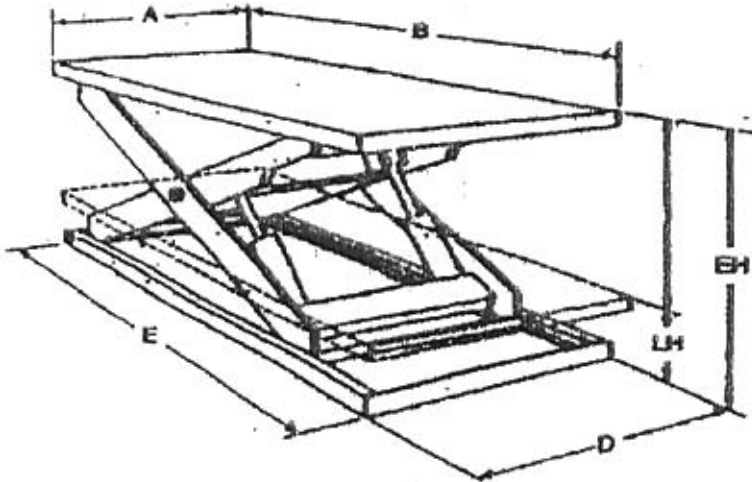


## SAFETY GUARDS MANUFACTURER'S REQUIREMENTS



A = \_\_\_\_\_

B = \_\_\_\_\_

C = \_\_\_\_\_

D = \_\_\_\_\_

E = \_\_\_\_\_

EH = \_\_\_\_\_

LH = \_\_\_\_\_

**OPTIONS :** Velcro: Top \_\_\_\_\_  
 Bottom \_\_\_\_\_  
 Maintenance Ties \_\_\_\_\_

1 SIDED \_\_\_\_\_ 2 SIDED \_\_\_\_\_ 3 SIDED \_\_\_\_\_ 4 SIDED \_\_\_\_\_ 5 SIDED \_\_\_\_\_

**Note: Clamping Bar Supplied By Customer  
 PLEASE CHECK METHOD 1, 2 OR 3**

